

THIS DRAWING IS THE SOLE PROPERTY OF AK INDUSTRIES, INC.

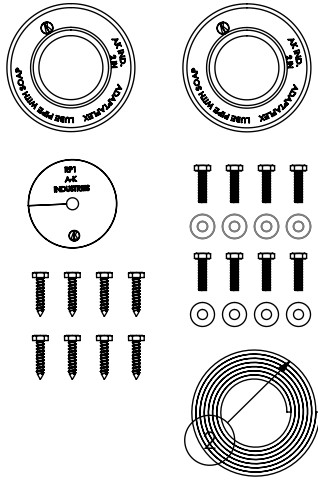
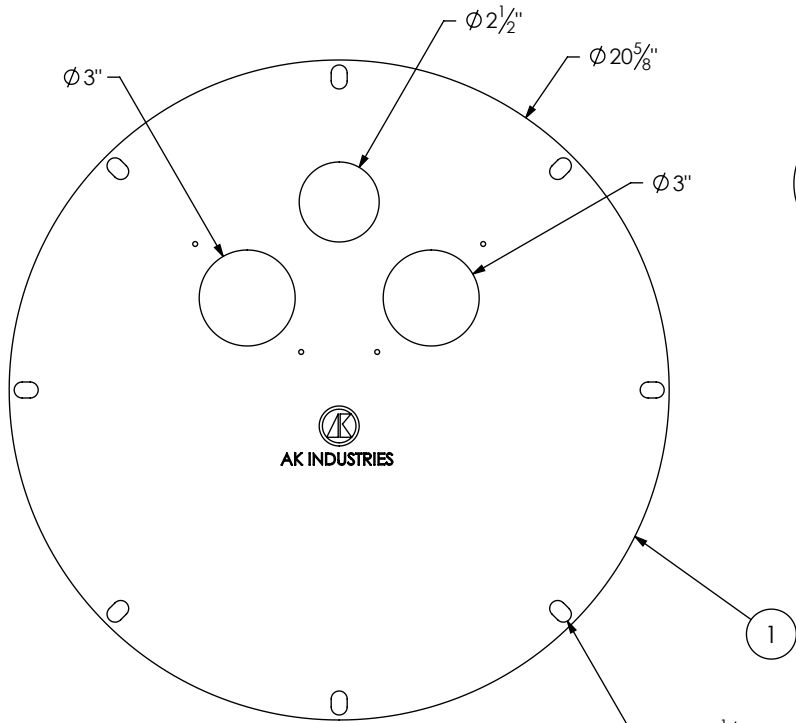
DWG/PART NUMBER:
AKP80100

DESCRIPTION:
SF 18" Cover / 2" x 2" AAF

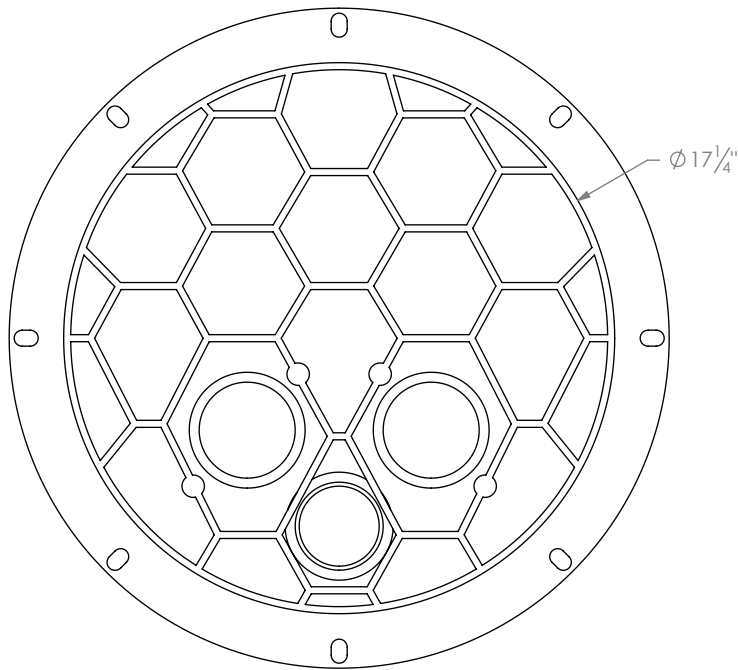
PART WEIGHT:
1.28 lbs

REV:
002

DATE:
7/26/2023



(8) $\phi 1/2$ " x 5/8" Slots
on a 19 3/8" B.C.



ITEM NO.	PART NUMBER	DESCRIPTION	QTY.
1	AKR50540-NS	RAW COVER/STRUCTURAL FOAM/18"/3x3x2-1/2" HOLES	1
2	AKP10400	GASKET PACK, 18" COVER 2" D x 2" V AAF	1

DRAWN BY:
TCT

MATERIAL:
Structural Foam

TOLERANCE:
+/- 0.0625 UNLESS SPECIFIED OTHERWISE

SIGNATURE: